



# READYFLEX™ HOT HOLDING CABINET

## Specifications

F.O.B. Sedalia, Missouri 65301



### Model – RFHU-23 2.5" Deep

#### OPTIONS:

- Front and Back 4.3" Touchscreen
- Front 4.3" Touchscreen w/ Front Timer Bars
- Front 4.3" Touchscreen w/ Front and Back Timer Bars
- Dedicated Lid Options for High Volume Proteins

#### Electrical

- 120V - 60Hz
- 208/240V - 60Hz
- 220/240V - 50/60Hz

#### Agency Listings:



**Approval Stamp(s):**

ReadyFlex™ Holding Unit - 2.5" Deep

#### PRODUCT INFORMATION:

PROJECT: \_\_\_\_\_

ITEM: \_\_\_\_\_

QUANTITY: \_\_\_\_\_

#### MODEL:

#### ReadyFlex™ Holding Unit - 2.5" Deep

- RFHU-22      2X2 Configuration
- RFHU-23      2X3 Configuration
- RFHU-24      2X4 Configuration
- RFHU-32      3X2 Configuration
- RFHU-42      4X2 Configuration

#### BODY:

Stainless Steel Exterior construction for durability and ease of cleaning.

Robust stainless steel pan cover.

Multipan configuration flexibility for 1/3, 1/2 and Full Size Pans\*

\* Full Size Pans limited to 3 wide or larger units.

#### HEATER CONFIGURATIONS:

Independent Top and Bottom Zoned Heat for maximum recipe flexibility.

Easy configured for shelf heat, if desired.

Quick heat up approximately 20 minutes.

#### CONTROLS:

Full Color 4.3" Touchscreen Control

- Easy to Use, Easy to Learn

- Timer Bar functionality without timer bars.

Start and Stop Timers

Displays product being held, countdown timer, cook more alerts, and FIFO for each pan.

Simplified, Intuitive Local Programming, Recipe Storage, & Menu Switch

Multipan configuration

Network Support

#### Built In Connectivity

Wi-Fi (Dual Band 802.11 A/B/G/N 2.4Ghz/5Ghz)

Ethernet (10/100Mbps)

#### USB Support

Firmware Update

Recipe Import/Export

#### Duke Connected Equipment Platform (DCEP) Support

Asset Management

Firmware Update

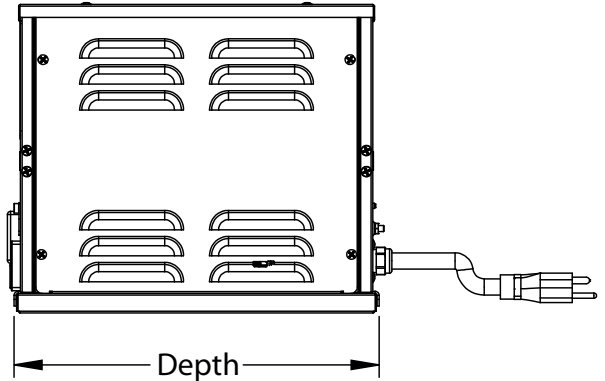
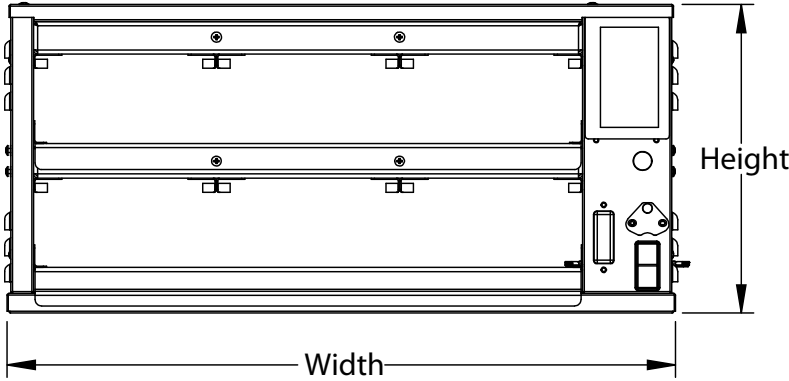
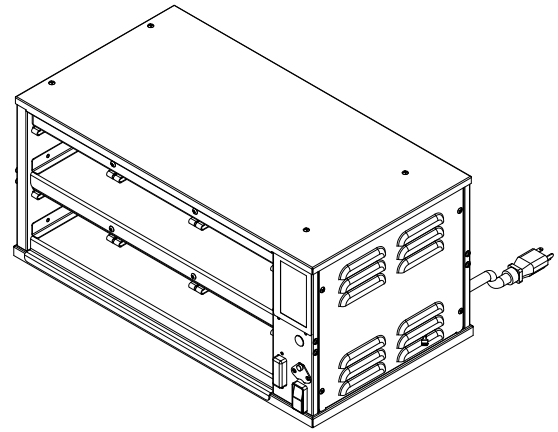
Recipe Management

Diagnostics

Catalog No. Food Warmer

A.I.A. File No. 35-C-13

# ReadyFlex™ Holding Unit - 2.5" Deep



## ELECTRICAL SPECIFICATION/CORD RATING (TOP AND BOTTOM HEAT)

Model	120V - 60Hz		208/240 V - 60Hz		220/240V - 50/60Hz	
	Amps	NEMA	Amps	NEMA	Amps	Schuko
RFHU-22	10	5-15P	5.8/6.7	6-15P	6.7	CEE7 VII
RFHU-23	12.5	5-20P	8.7/10	6-15P	10.0	CEE7 VII
RFHU-24	15	5-20P	8.7/10	6-15P	10.0	CEE7 VII
RFHU-32	12.5	5-20P	8.7/10	6-15P	10.0	CEE7 VII
RFHU-42	15	5-20P	8.7/10	6-15P	10.0	CEE7 VII

## DIMENSIONS

Model	2.5" Deep Pan Config					
	Height		Width		Depth (body only)	
	in.	cm	in.	cm	in.	cm
RFHU-22	11.8	30.0	19.0	48.3	14.1	35.7
RFHU-23	11.8	30.0	26.0	66.0	14.1	35.7
RFHU-24	11.8	30.0	33.0	83.8	14.1	35.7
RFHU-32	16.6	42.2	19.0	48.3	14.1	35.7
RFHU-42	21.5	54.6	19.0	48.3	14.1	35.7

This product may be covered by one or more patents or pending patent applications. For more details, see [www.dukemfg.com/patents](http://www.dukemfg.com/patents)