

# FSM

Excellence since 1976

## Save up to 50% on your oil costs with...



With the **VITO® Oil Filter System**, you can almost double the life of your frying oil and improve the quality of your fried product while saving time and money. A unique solution providing the combined benefits of reduced costs, better quality frying, less frequent oil changes and higher quality product to your customers. Simply place **VITO®** in the fryer unit and filtration is completed automatically. No need to drain your fryers and no need to pay for outsourcing expensive filtration services. Choose the unit that suits your operation and start saving up to 50% on your frying oil costs. The optional **VITO® Oil Tester** can monitor oil quality and give recordable data that ensures consistent quality and proper oil replacement schedules to save even more.

**FSM** (FOOD SERVICE MACHINERY PTY. LTD.)

**HEAD OFFICE:**

21-23 Agosta Drive, Laverton North,  
Vic. 3026 Australia  
T: +61 3 9368 2300 F: +61 3 9369 3800  
E: sales@fsm-pl.com.au W: www.fsm-pl.com.au

**SYDNEY OFFICE:**

Unit 15, 7-9 Progress Circuit,  
Prestons, NSW 2170  
T: +61 2 9608 8620 F: +61 2 9607 9370  
E: sales@fsm-pl.com.au W: www.fsm-pl.com.au

**QUEENSLAND OFFICE:**

4/40 Rivergate Place,  
Murarrie, QLD 4172  
T: +61 7 3390 4185 F: +61 7 3393 9508  
E: sales@fsm-pl.com.au W: www.fsm-pl.com.au

**PERTH:**

T: 0413 893 311  
E: sales@fsm-pl.com.au  
W: www.fsm-pl.com.au

Choose the correct model for your fryer capacity

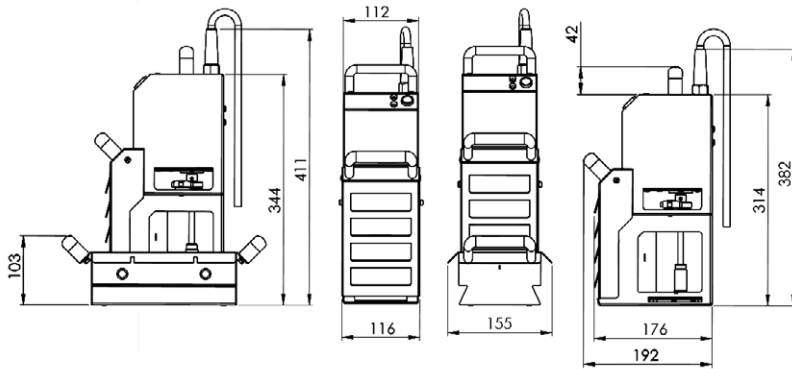


**VITO® 30**  
up to 12 Litres

**VITO® 50**  
up to 20 Litres

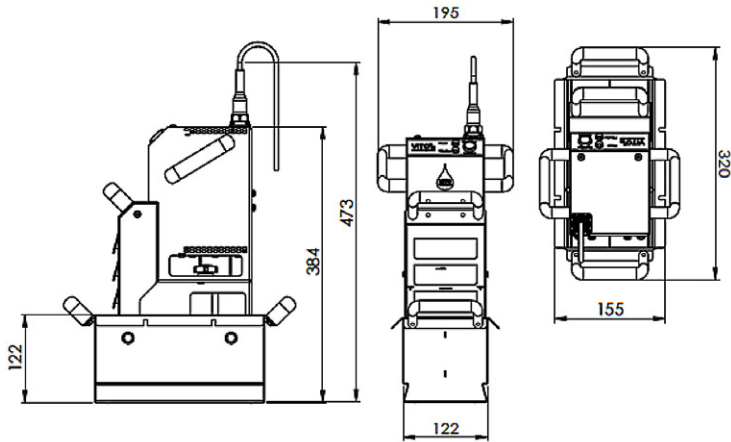
**VITO® 80**  
over 20 Litres

**VITO® OIL TESTER**



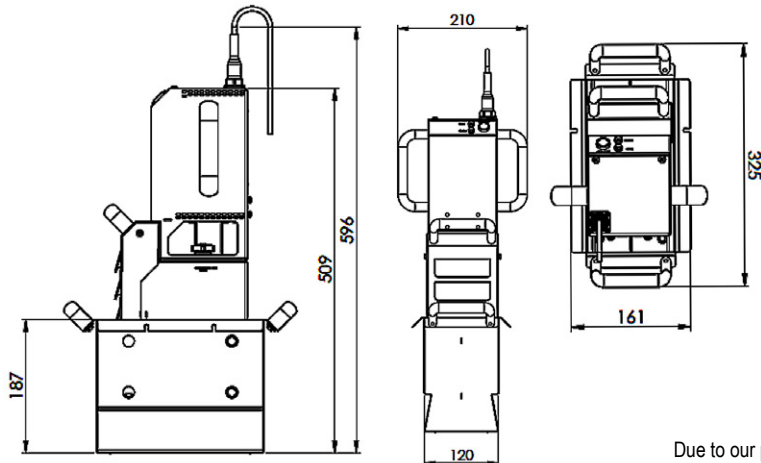
**VITO® 30**

Filtration power	Particle Uptake	Power	Work Cycle	Suction Depth	Dimensions	Weight
<35L/Min	0.8L	300W	4.5 mins	20cm	W122xH411xL175mm	6.3Kg



**VITO® 50**

Filtration power	Particle Uptake	Power	Work Cycle	Suction Depth	Dimensions	Weight
<50L/Min	1.2L	300W	4.5 mins	30cm	W195xH370xL210mm	7.7Kg



**VITO® 80**

Filtration power	Particle Uptake	Power	Work Cycle	Suction Depth	Dimensions	Weight
<95L/Min	3.5L	500W	3.5 mins	45cm	W210xH460xL205mm	9.2Kg

Due to our policy of continual improvement, descriptions and technical information may change without notice.

**FSM** (FOOD SERVICE MACHINERY PTY. LTD.)

**HEAD OFFICE:**  
21-23 Agosta Drive, Laverton North,  
Vic. 3026 Australia  
T: +61 3 9368 2300 F: +61 3 9369 3800  
E: sales@fsm-pl.com.au W: www.fsm-pl.com.au

**SYDNEY OFFICE:**  
Unit 15, 7-9 Progress Circuit,  
Prestons, NSW 2170  
T: +61 2 9608 8620 F: +61 2 9607 9370  
E: sales@fsm-pl.com.au W: www.fsm-pl.com.au

**QUEENSLAND OFFICE:**  
4/40 Rivergate Place,  
Murarrie, QLD 4172  
T: +61 7 3390 4185 F: +61 7 3393 9508  
E: sales@fsm-pl.com.au W: www.fsm-pl.com.au

**PERTH:**  
T: 0413 893 311  
E: sales@fsm-pl.com.au  
W: www.fsm-pl.com.au