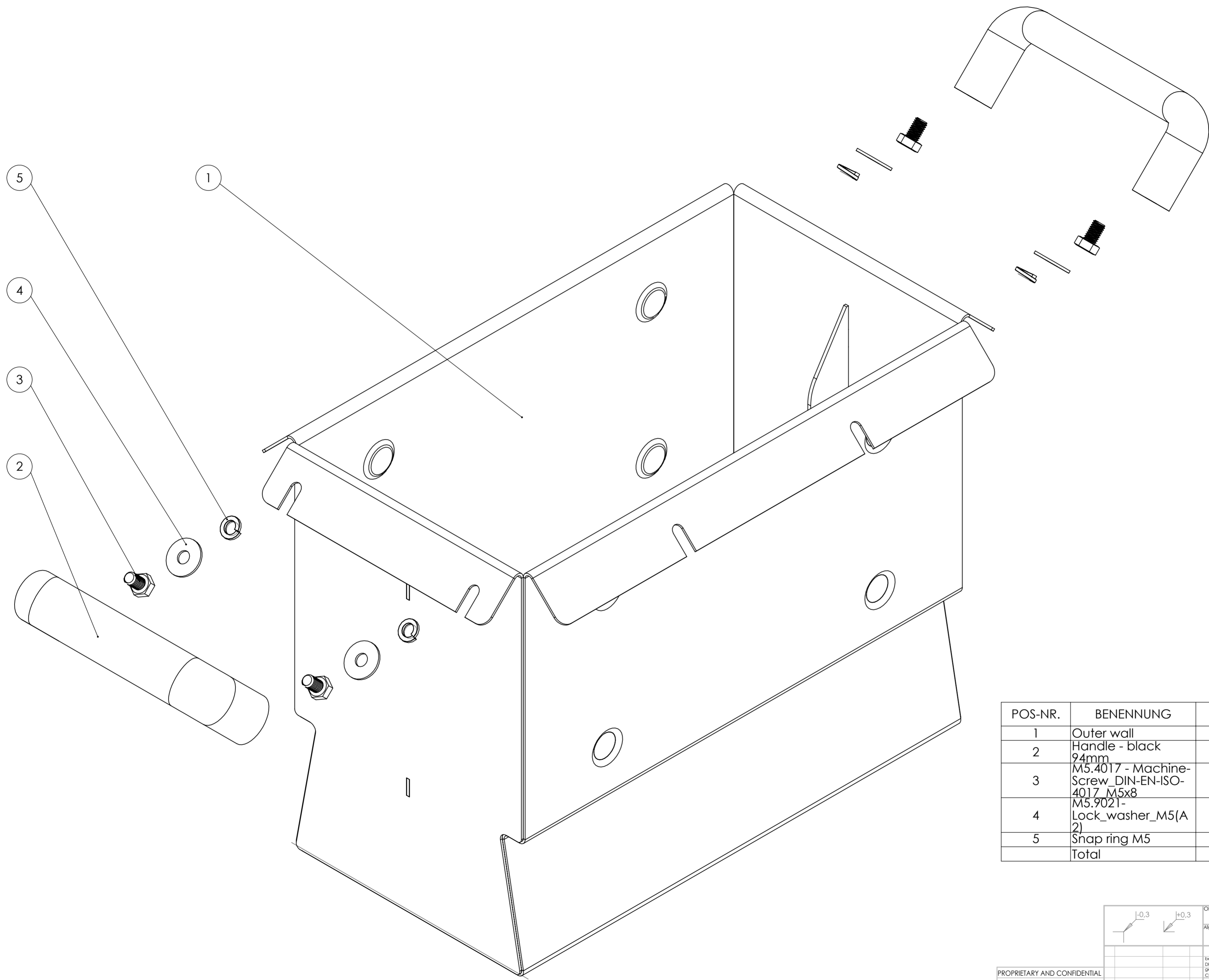


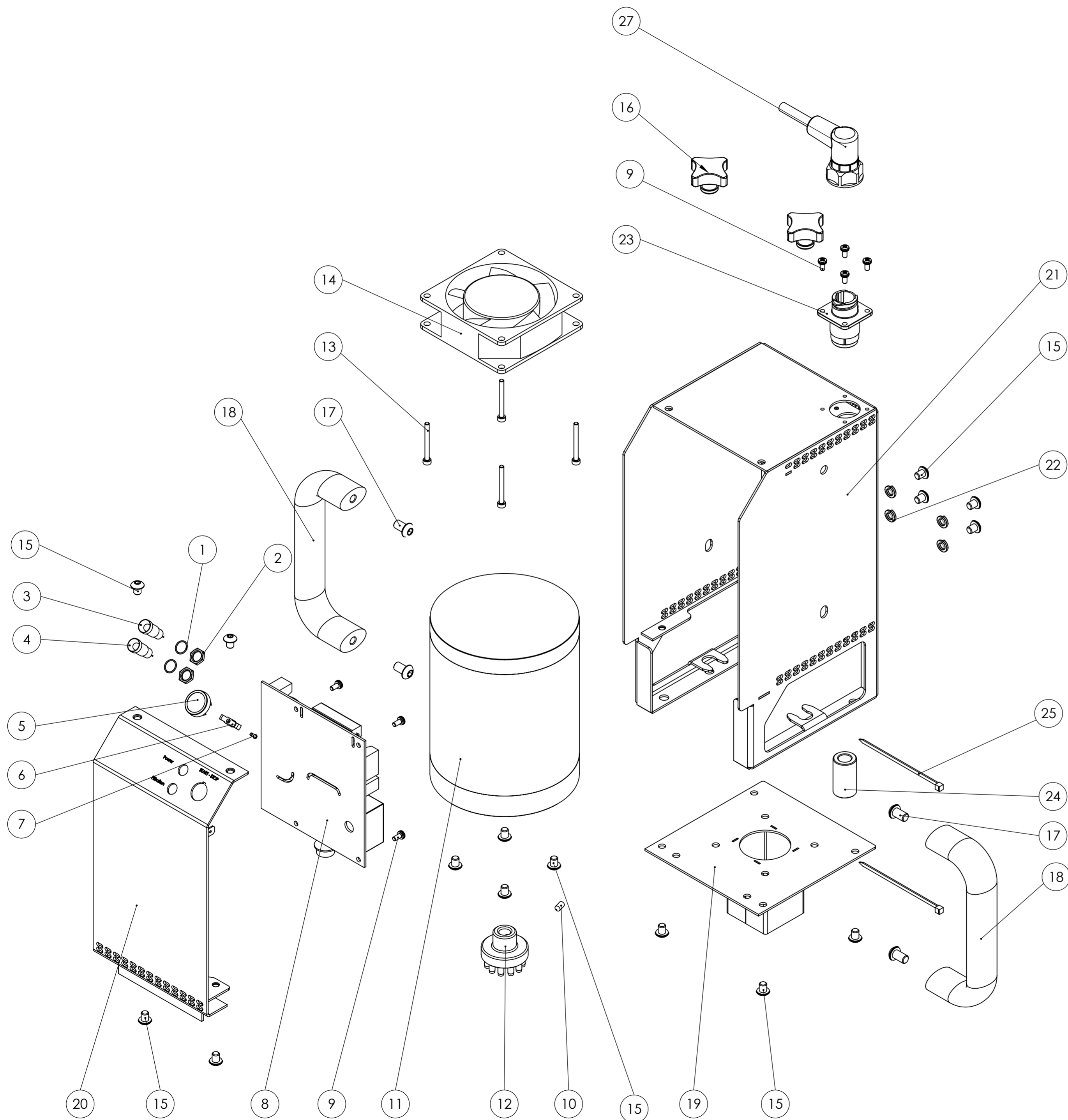
PROPRIETARY AND CONFIDENTIAL
 THE INFORMATION CONTAINED IN THIS DRAWING IS THE SOLE PROPERTY OF SYS Systemfiltration GmbH. ANY REPRODUCTION IN PART OR AS A WHOLE WITHOUT THE WRITTEN PERMISSION OF SYS Systemfiltration GmbH IS PROHIBITED.

		Oberfläche / FINISH	SCALE: 1:10	Art.Nr. / ITEM NO.
Allgemeintoleranzen / GENERAL TOLERANCES		Werkstoff / MATERIAL		Gewicht / WEIGHT
DIN ISO 2768-m				kg
Datum / DATE Name / NAME bearb. DRAWN Gepr. CHECKED		Benennung / DESCRIPTION		
25.09.14 DB		VITO 80		
Nr. NO.		Zeichnungsnummer / DRAWING NO.		Status / STATUS
Änderung MODIFICATION		Ers.f./REPL.		Ers.d./REPL. BY
Datum DATE		Name NAME		Format / SIZE A3
DO NOT SCALE DRAWING				Blatt / PAGE 2
				von / OF 2
				SolidWorks



POS-NR.	BENENNUNG	BESCHREIBUNG	MENGE
1	Outer wall		1
2	Handle - black 94mm	100145	2
3	M5.4017 - Machine- Screw_DIN-EN-ISO- 4017_M5x8		4
4	M5.9021- Lock_washer_M5(A 2)		4
5	Snap ring M5	100137	4
	Total		15

		Oberfläche / FINISH		Scale: 1:1		Art.Nr. / ITEM NO.	
Allgemeintoleranzen / GENERAL TOLERANCES		DIN ISO 2768-m		Werkstoff / MATERIAL		VITO 80	
Datum / DATE		16.07.12 DB		Benennung / DESCRIPTION		Drip pan	
bearb. / DRAWN		16.07.12 DB		Zeichnungsnummer / DRAWING NO.		Status / STATUS	
gepr. / CHECKED				Ers.f./REPL.		Ers.d./REPL.BY	
PROPRIETARY AND CONFIDENTIAL THE INFORMATION CONTAINED IN THIS DRAWING IS THE SOLE PROPERTY OF SYS Systemfiltration GmbH. ANY RE- PRODUCTION IN PART OR AS A WHOLE WITHOUT THE WRITTEN PERMISSION OF SYS Systemfiltration GmbH IS PROHIBITED.		Nr. / NO. Änderung / MODIFICATION Datum / DATE Name / NAME		DO NOT SCALE DRAWING		Format/SIZE A2 Blatt / PAGE 1 von / OF 1 SolidWorks	

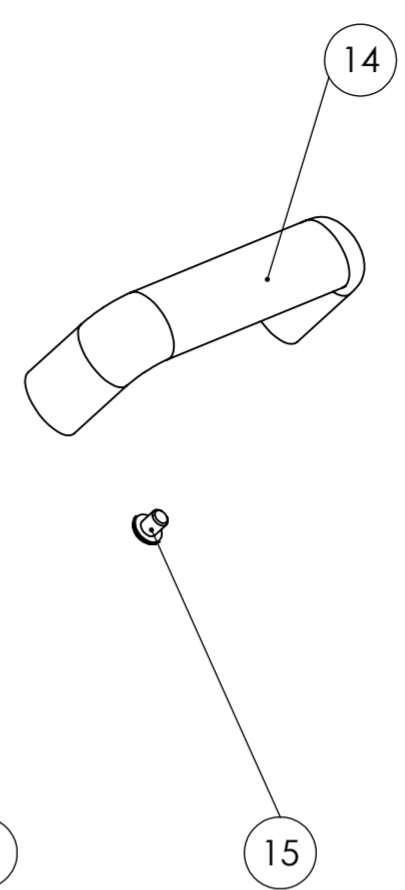
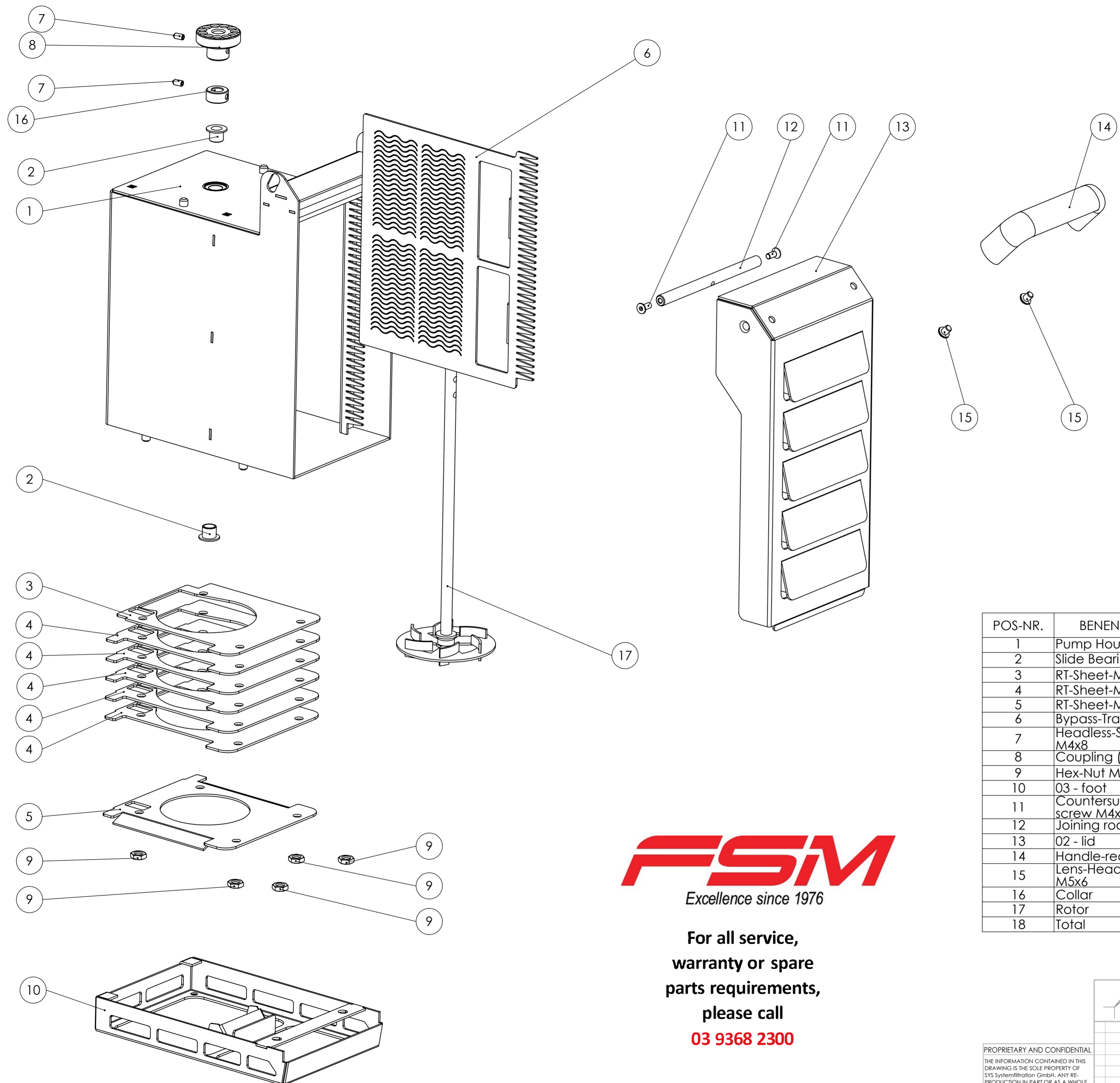


POS-NR.	BENENNUNG	BESCHREIBUNG	MENGE
1	Snap Ring	part of 100049 & 100050	2
2	Nut M8x0,7	part of 100049 & 100050	2
3	LED red	100049	1
4	LED green	100050	1
5	Start/Stop pusch-button	100051	1
6	Mounting Bracket	Set 100150	1
7	Screw	Set 100150	1
8	Circuit Board 003-PCB-V80-(with EMC)	100550	1
9	Lens-Head-Screw DIN 7985 DIN_EN-ISO-7045 - M3x6	100129	8
10	Headless-Screw M4x8	100631	1
11	Motor V80	100495 (120V) 100496 (230V)	1
12	Coupling (male)	100615	1
13	Cylinder-Head Screw M3x30 (thread 20mm)	100213	4
14	Axial-fan 80x80x26	100214 (230V) 100247 (115V)	1
15	Lens-Head Screw M5x6	100128	16
16	Star-Handle screw	100147	2
17	Lens-Head Screw M6x10	100628	4
18	Handle - black	Handle - black	2
19	Flange Plate	100665	1
20	base_plate	100215	1
21	electrical_housing	100020	1
22	Snap ring M5	100137	4
23	Connector with Power Socket	100859	1
24	Ferrite Sleeve-Ø9 / Ø16	100641	1
25	Cable clip	100784	2
26	Total		62
27	Gerätestecker Abgewinkelt		1

PROPRIETARY AND CONFIDENTIAL
 THE INFORMATION CONTAINED IN THIS DRAWING IS THE SOLE PROPERTY OF SYS Systemfiltration GmbH. ANY REPRODUCTION IN PART OR AS A WHOLE WITHOUT THE WRITTEN PERMISSION OF SYS Systemfiltration GmbH IS PROHIBITED.

Oberfläche / FINISH		Scale: 1:2		Art.Nr. / ITEM NO.	
DIN ISO 2768-m		Werkstoff / MATERIAL		VITO 80	
Datum / DATE		Name / NAME		Benennung / DESCRIPTION	
16.07.12		DB		Control unit	
Zeichnungsnummer / DRAWING NO.		Status / STATUS		Format/SIZE	
				A2	
Blatt / PAGE				1	
von / OF				2	
Ers.f./REPL.		Ers.d./REPL.BY		SolidWorks	

DO NOT SCALE DRAWING



POS-NR.	BENENNUNG	BESCHREIBUNG	MENGE
1	Pump Housing		1
2	Slide Bearing	100531	2
3	RT-Sheet-Metal I	100015	1
4	RT-Sheet-Metal II	100016	5
5	RT-Sheet-Metal III	100017	1
6	Bypass-Tray	100621	1
7	Headless-Screw M4x8	100631	2
8	Coupling (female)	100616	1
9	Hex-Nut M6	100132	6
10	03 - foot		1
11	Countersunk-head-screw M4x7	100248	2
12	Joining rod	100249	1
13	02 - lid		1
14	Handle-rod	100146	1
15	Lens-Head Screw M5x6	100128	2
16	Collar	100131	1
17	Rotor	100014	1
18	Total		30



**For all service,
warranty or spare
parts requirements,
please call
03 9368 2300**

Oberfläche / FINISH -0,3 +0,3		Scale: 1:5 Art.Nr. / ITEM NO.	Gewicht/WEIGHT kg
Allgemeine Toleranzen / GENERAL TOLERANCES DIN ISO 2768-m		Werkstoff / MATERIAL VITO 80	
Datum / DATE 16.07.12 DB		Benennung / DESCRIPTION Pump Unit	
Zeichnungsnummer / DRAWING NO. Status / STATUS		Format/SIZE A2 Blatt / PAGE 1 von / OF 1	
PROPRIETARY AND CONFIDENTIAL THE INFORMATION CONTAINED IN THIS DRAWING IS THE SOLE PROPERTY OF SYS Systemfiltration GmbH. ANY REPRODUCTION IN PART OR AS A WHOLE WITHOUT THE WRITTEN PERMISSION OF SYS Systemfiltration GmbH IS PROHIBITED.		DO NOT SCALE DRAWING	