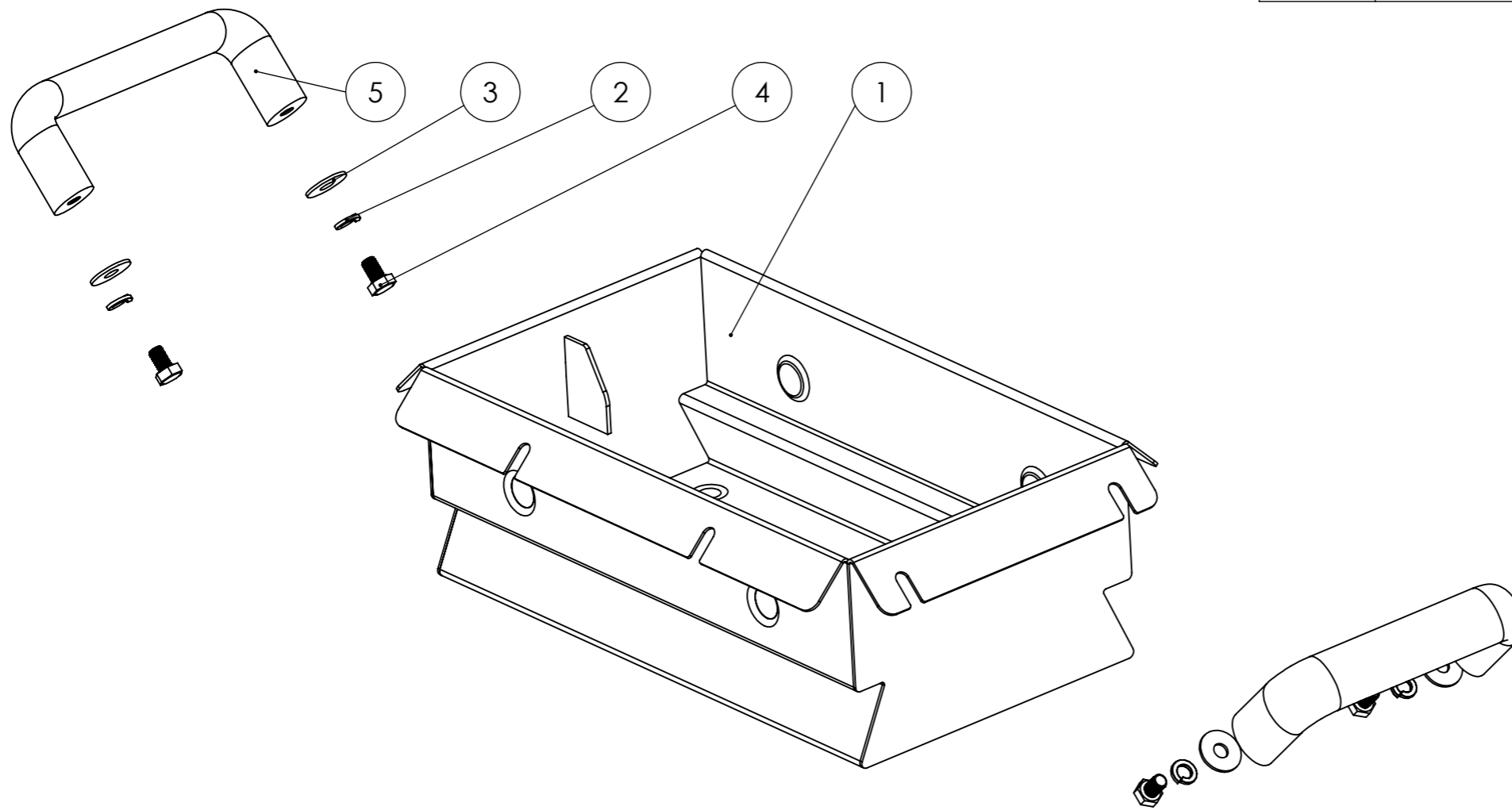


PROPRIETARY AND CONFIDENTIAL
 THE INFORMATION CONTAINED IN THIS DRAWING IS THE SOLE PROPERTY OF SYS Systemfiltration GmbH. ANY REPRODUCTION IN PART OR AS A WHOLE WITHOUT THE WRITTEN PERMISSION OF SYS Systemfiltration GmbH IS PROHIBITED.

		Oberfläche / FINISH	SCALE: 1.5	Art.Nr. / ITEM NO.	
Allgemeintoleranzen / GENERAL TOLERANCES		DIN ISO 2768-m	Werkstoff / MATERIAL	1.4301	Gewicht/WEIGHT kg
Datum / DATE		Name / NAME	Benennung / DESCRIPTION		
bearb. DRAWN		22.09.14 DB	Vito 30 G3		
Gepr. CHECKED			Zeichnungsnummer / DRAWING NO.	Status / STATUS	Format/SIZE A3
				release	Blatt/PAGE 1
					von / OF 1
Nr. NO.	Änderung MODIFICATION	Datum DATE	Name NAME	Ers.f./REPL.	Ers.d./REPL. BY
DO NOT SCALE DRAWING					SolidWorks

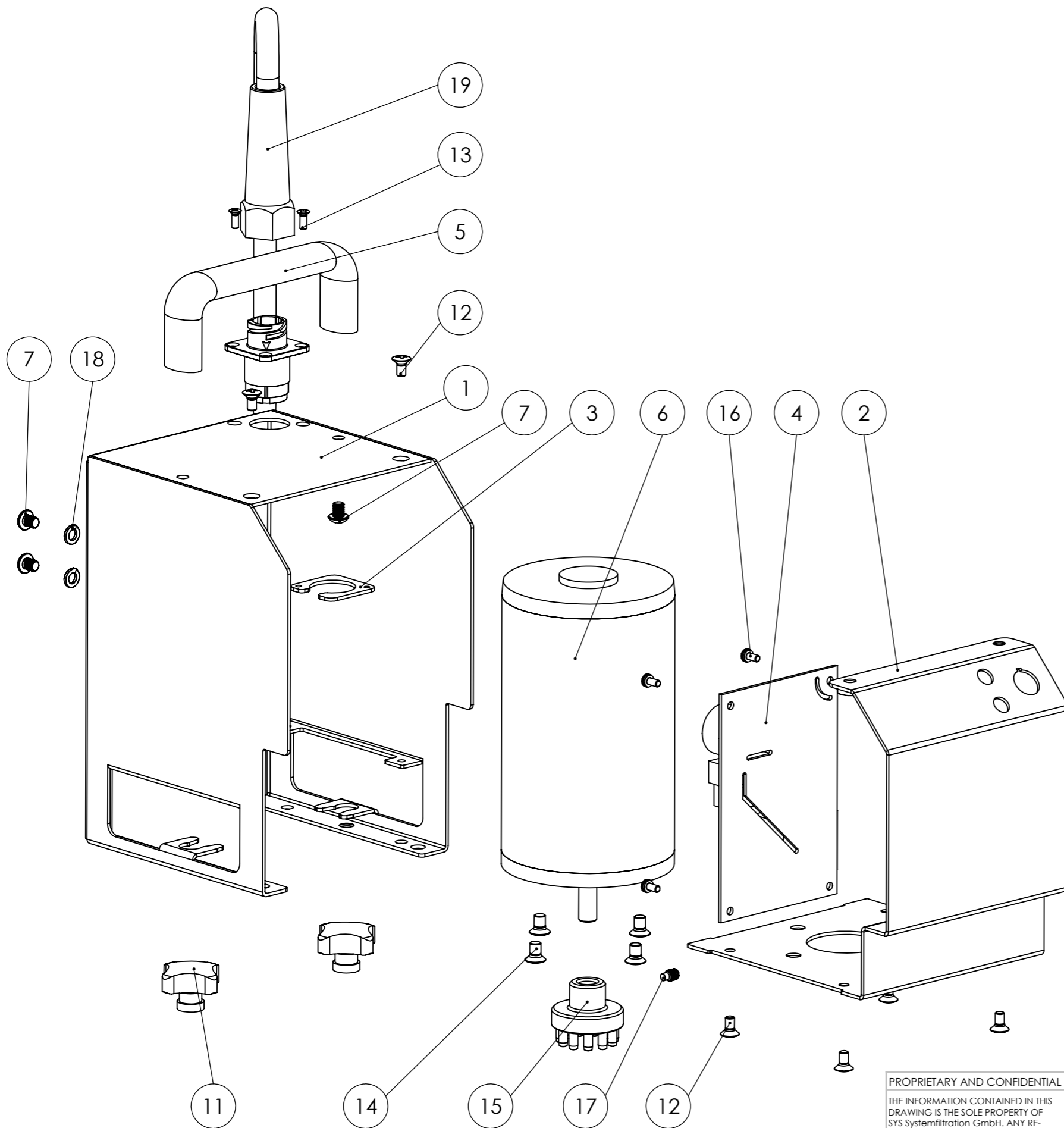
POS-NR.	BENENNUNG	Art. Nr.	MENGE
1	Auffangbehälter Blechteil	101679	1
2	Snap ring M5	100137	4
3	Lock washer M5	100269	4
4	Machine-Screw M5x8	100251	4
5	Bügelgriff schwarz klein	100145	2



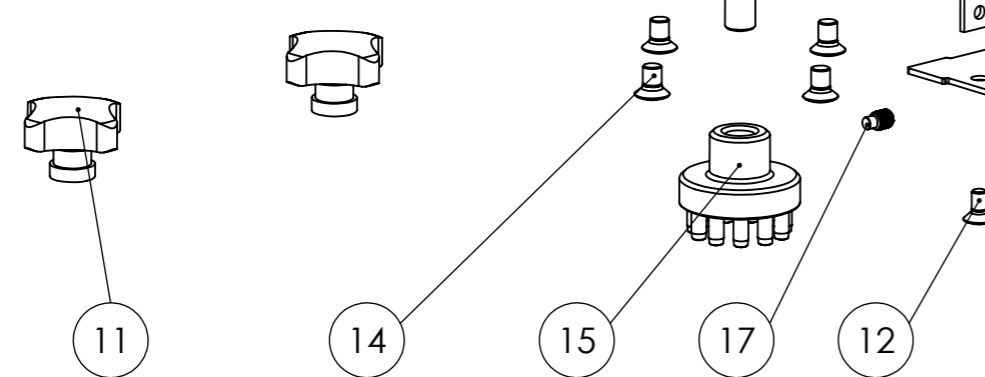
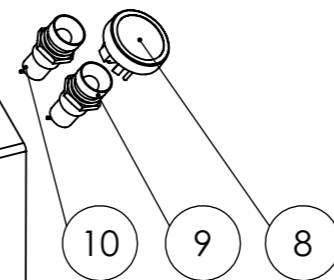
		Oberfläche / FINISH	SCALE: 1:2	Art.Nr. / ITEM NO.
Allgemeintoleranzen / GENERAL TOLERANCES		Werkstoff / MATERIAL		Gewicht/WEIGHT
DIN ISO 2768-m				kg
bearb. Datum / DATE Name / NAME DRAWN 06.11.14 DB Gepr. CHECKED		Benennung / DESCRIPTION		
		V30 G3 Auffangwanne		
Zeichnungsnummer / DRAWING NO.		Status / STATUS	Format/SIZE	
		release	A3	
von / OF		Ers.f./REPL.		Blatt/PAGE
2		Ers.d./REPL. BY		2
Nr. Änderung		Datum	Name	DO NOT SCALE DRAWING
NO. MODIFICATION		DATE	NAME	

PROPRIETARY AND CONFIDENTIAL
 THE INFORMATION CONTAINED IN THIS DRAWING IS THE SOLE PROPERTY OF SYS Systemfiltration GmbH. ANY REPRODUCTION IN PART OR AS A WHOLE WITHOUT THE WRITTEN PERMISSION OF SYS Systemfiltration GmbH IS PROHIBITED.

SolidWorks



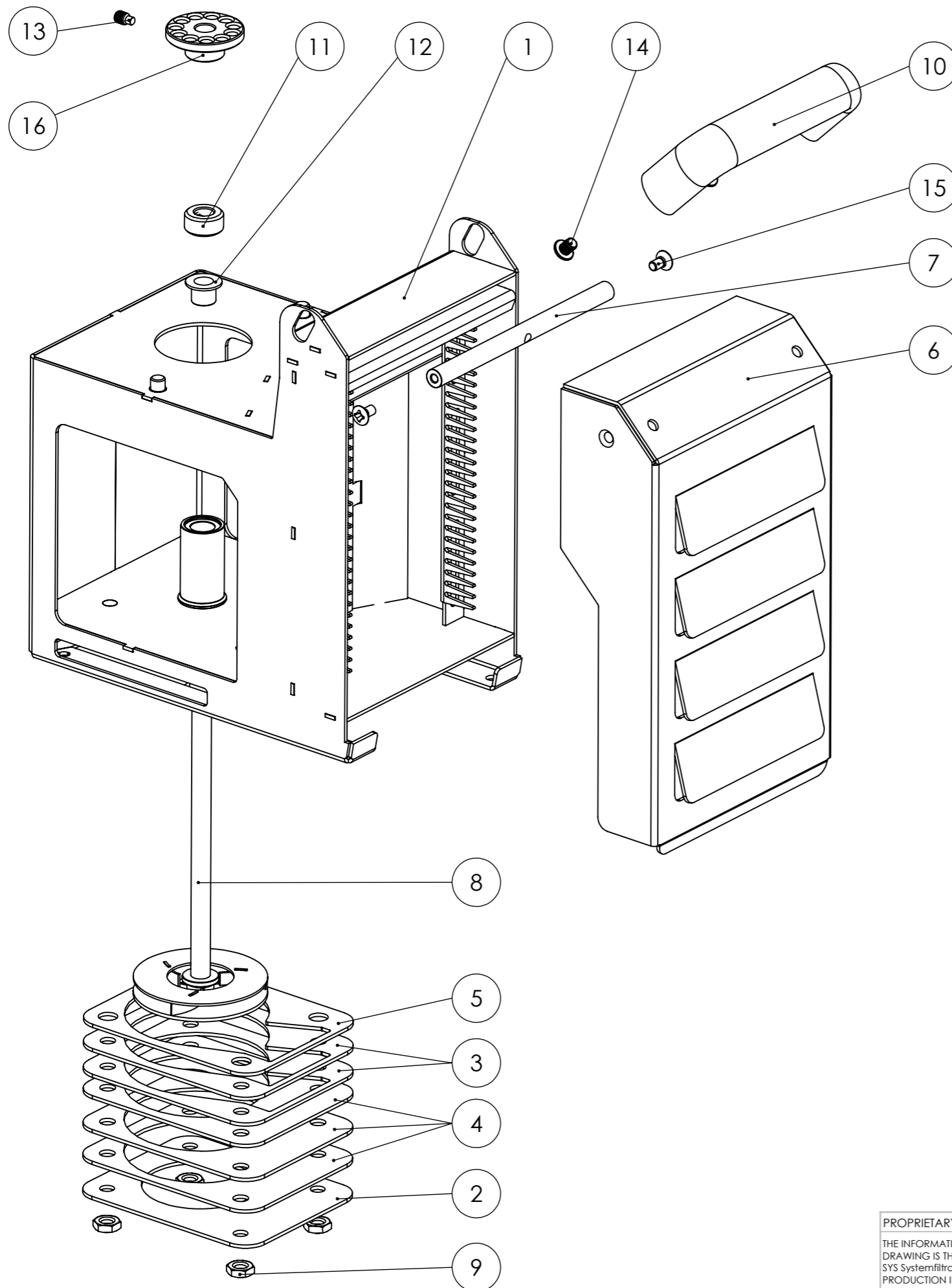
POS-NR.	BENENNUNG	BESCHREIBUNG	MENGE
1	Elektrogehäuse	101671	1
2	Basisblech	101670	1
3	Flansch Metallgerätestecker	101717	1
4	Platine 115V / 230V	100476/100477	1
5	Kunststoffgriff schwarz klein	100145	1
6	Motor 115V / 230V	100035/100725	1
7	Linienkopfschraube ISK M5x6	100128	6
8	Taster mit Kit	100380	1
9	LED grün	100050	1
10	LED rot	100049	1
11	Kreuzgriff	100147	2
12	Senkschraube Phillips M4x8	101719	6
13	Senkschraube Phillips M3x8	101720	2
14	Senkschraube Phillips M5x8	101718	4
15	Kupplung Stiftseite	100615	1
16	Lens-Head-Screw M3x6	100129	4
17	Madenschraube M4x8	100631	1
18	Snap Ring M5	100137	4
19	Netzleitung nach Land		1
	Schuko	101750	
	CH	101754	
	NEMA	101751	
	UK	101752	
	IL	101755	
	DK	101756	
	AU/CN	101757	



PROPRIETARY AND CONFIDENTIAL
 THE INFORMATION CONTAINED IN THIS DRAWING IS THE SOLE PROPERTY OF SYS Systemfiltration GmbH. ANY REPRODUCTION IN PART OR AS A WHOLE WITHOUT THE WRITTEN PERMISSION OF SYS Systemfiltration GmbH IS PROHIBITED.

	Oberfläche / FINISH	SCALE: 1:2	Art.Nr. / ITEM NO.
	Allgemeintoleranzen / GENERAL TOLERANCES	Werkstoff / MATERIAL	
DIN ISO 2768-m		Gewicht / WEIGHT kg	
Datum / DATE: 06.11.14 Name / NAME: DB bearb. DRAWN Gepr. CHECKED		Benennung / DESCRIPTION	
		V30 G3 E-Einheit	
Zeichnungsnummer / DRAWING NO.		Status / STATUS	Format / SIZE A3
		release	Blatt / PAGE 2
			von / OF 2
Nr. NO.	Änderung MODIFICATION	Datum DATE	Name NAME
DO NOT SCALE DRAWING		Ers.f./REPL.	Ers.d./REPL. BY

SolidWorks



POS-NR.	BENENNUNG	BESCHREIBUNG	MENGE
1	Pumpengehäuse	101672	1
2	RT-Blech 1	101676	1
3	RT-Blech 2	101677	2
4	RT-Blech 3	101678	3
5	RT-Blech 4	101706	1
6	Filterdeckel	101674	1
7	Joining rod	101673	1
8	Rotor V30 g3	101675	1
9	Hex-Nut M6	100132	4
10	Bügelgriff rot	100146	1
11	Stellring 8mm m. Gewindestift	100131	1
12	Kunststoffgleitlager	100531	2
13	Madenschraube M4x8	100531	1
14	Linsenkopfschraube ISK M5x6	100128	2
15	Senkschraube Phillips M4x8	101719	2
16	Coupling (female)	101610	1

FSM

Excellence since 1976

For all service, warranty or
spare parts requirements,
please call

03 9368 2300

PROPRIETARY AND CONFIDENTIAL
THE INFORMATION CONTAINED IN THIS
DRAWING IS THE SOLE PROPERTY OF
SYS Systemfiltration GmbH. ANY RE-
PRODUCTION IN PART OR AS A WHOLE
WITHOUT THE WRITTEN PERMISSION OF
SYS Systemfiltration GmbH IS PROHIBITED.

		Oberfläche / FINISH	SCALE: 1:2	Art.Nr. / ITEM NO.
Allgemeintoleranzen / GENERAL TOLERANCES		Werkstoff / MATERIAL		Gewicht/WEIGHT
DIN ISO 2768-m				kg
bearb. Datum / DATE Name / NAME DRAWN 06.11.14 DB Gepr. CHECKED		Benennung / DESCRIPTION		
		V30 G3 Pumpe		
Zeichnungsnummer / DRAWING NO.		Status / STATUS	Format/SIZE A3	
		release	Blatt/PAGE 2	
			von / OF 2	
Nr. NO.	Änderung MODIFICATION	Datum DATE	Name NAME	Ers.f./REPL. Ers.d./REPL. BY
				DO NOT SCALE DRAWING
				SolidWorks